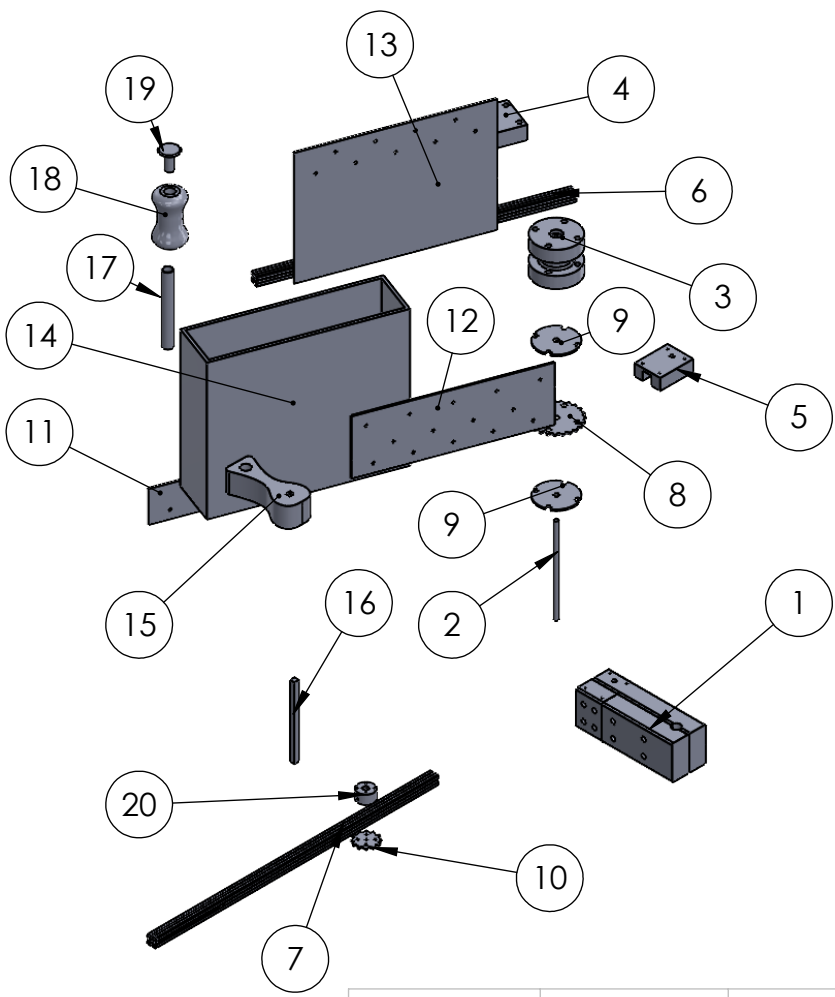


2

1

B

B



| ITEM NO. | PART NAME | QTY. |
|----------|----------------------------|------|
| 1 | Bracket | 1 |
| 2 | Connecting Rod | 1 |
| 3 | Collar | 1 |
| 4 | Swing Arm bracket | 1 |
| 5 | Chain Support Bracket | 1 |
| 6 | Chain Support | 1 |
| 7 | Swing Arm | 1 |
| 8 | 23 Tooth Gear | 1 |
| 9 | Spacer | 2 |
| 10 | 12 Tooth Gear | 1 |
| 11 | Bag inner connecting plate | 1 |
| 12 | Bag outer connecting plate | 1 |
| 13 | Bag plate | 1 |
| 14 | Mock bag | 1 |
| 15 | Crank Main Brick | 1 |
| 16 | Crank Metal | 1 |
| 17 | Crank Cylinder | 1 |
| 18 | Crank Handle | 1 |
| 19 | Handle | 1 |
| 20 | Main bracket | 1 |

A

A

PROPRIETARY AND CONFIDENTIAL
 THE INFORMATION CONTAINED IN THIS DRAWING IS THE SOLE PROPERTY OF <INSERT COMPANY NAME HERE>. ANY REPRODUCTION IN PART OR AS A WHOLE WITHOUT THE WRITTEN PERMISSION OF <INSERT COMPANY NAME HERE> IS PROHIBITED.

| | | | | |
|-----------|-------------|--------------------------------------|-----------|--------------|
| | | UNLESS OTHERWISE SPECIFIED: | NAME | DATE |
| | | DIMENSIONS ARE IN INCHES | DRAWN | Sol Brizuela |
| | | TOLERANCES: | CHECKED | 05/09/2024 |
| | | FRACTIONAL ± | ENG APPR. | |
| | | ANGULAR: MACH ± BEND ± | MFG APPR. | |
| | | TWO PLACE DECIMAL ± | Q.A. | |
| | | THREE PLACE DECIMAL ± | COMMENTS: | |
| | | INTERPRET GEOMETRIC TOLERANCING PER: | | |
| | | MATERIAL | | |
| NEXT ASSY | USED ON | FINISH | | |
| | APPLICATION | DO NOT SCALE DRAWING | | |

TITLE:
Sarah's Storage Mechanism

| | | |
|---------------------|----------|--------------|
| SIZE | DWG. NO. | REV |
| A | 1 | 1 |
| SCALE: 1:24 WEIGHT: | | SHEET 1 OF 2 |

2

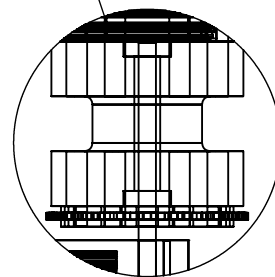
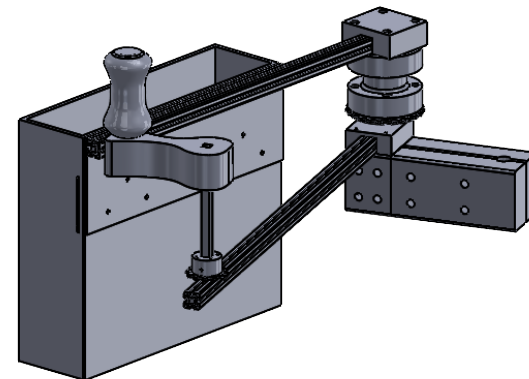
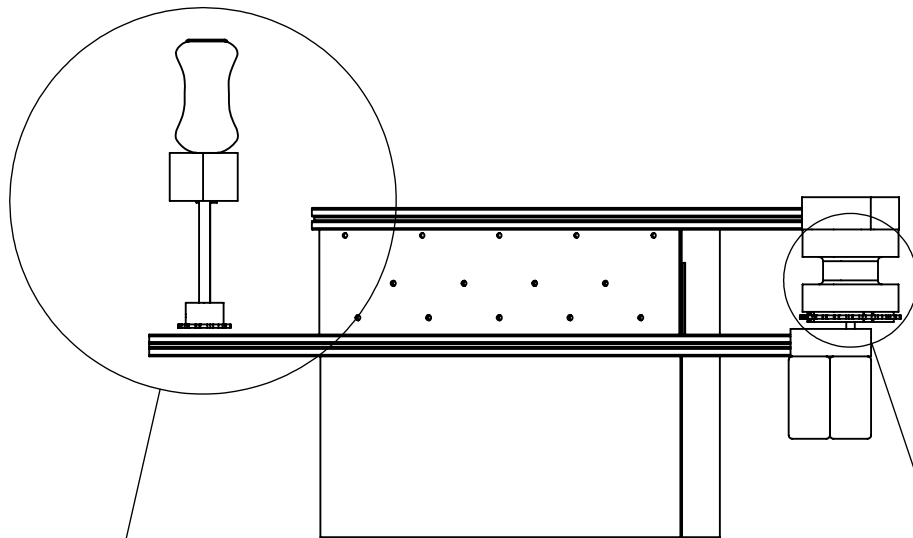
1

2

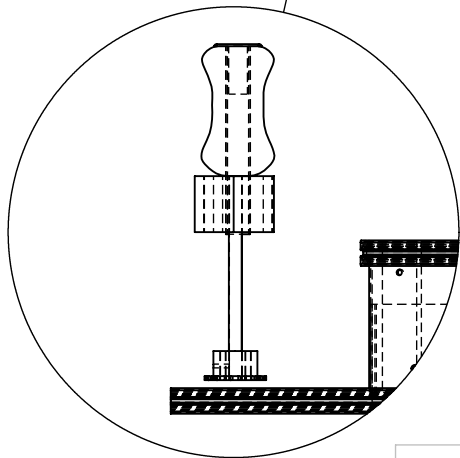
1

B

B



CONNECTION POINT



HANDLE

A

A

PROPRIETARY AND CONFIDENTIAL
 THE INFORMATION CONTAINED IN THIS DRAWING IS THE SOLE PROPERTY OF <INSERT COMPANY NAME HERE>. ANY REPRODUCTION IN PART OR AS A WHOLE WITHOUT THE WRITTEN PERMISSION OF <INSERT COMPANY NAME HERE> IS PROHIBITED.

| | | | | |
|-----------|-------------|--------------------------------------|-----------|--------------|
| | | UNLESS OTHERWISE SPECIFIED: | NAME | DATE |
| | | DIMENSIONS ARE IN INCHES | DRAWN | Sol Brizuela |
| | | TOLERANCES: | CHECKED | 05/09/24 |
| | | FRACTIONAL ± | ENG APPR. | |
| | | ANGULAR: MACH ± BEND ± | MFG APPR. | |
| | | TWO PLACE DECIMAL ± | Q.A. | |
| | | THREE PLACE DECIMAL ± | COMMENTS: | |
| | | INTERPRET GEOMETRIC TOLERANCING PER: | | |
| | | MATERIAL | | |
| NEXT ASSY | USED ON | FINISH | | |
| | APPLICATION | DO NOT SCALE DRAWING | | |

TITLE:
 Sarah Storage Mechanism

SIZE DWG. NO. REV
A 1

SCALE: 1:12 WEIGHT: SHEET 2 OF 2

2

1